

Brinsea

ChickSafe

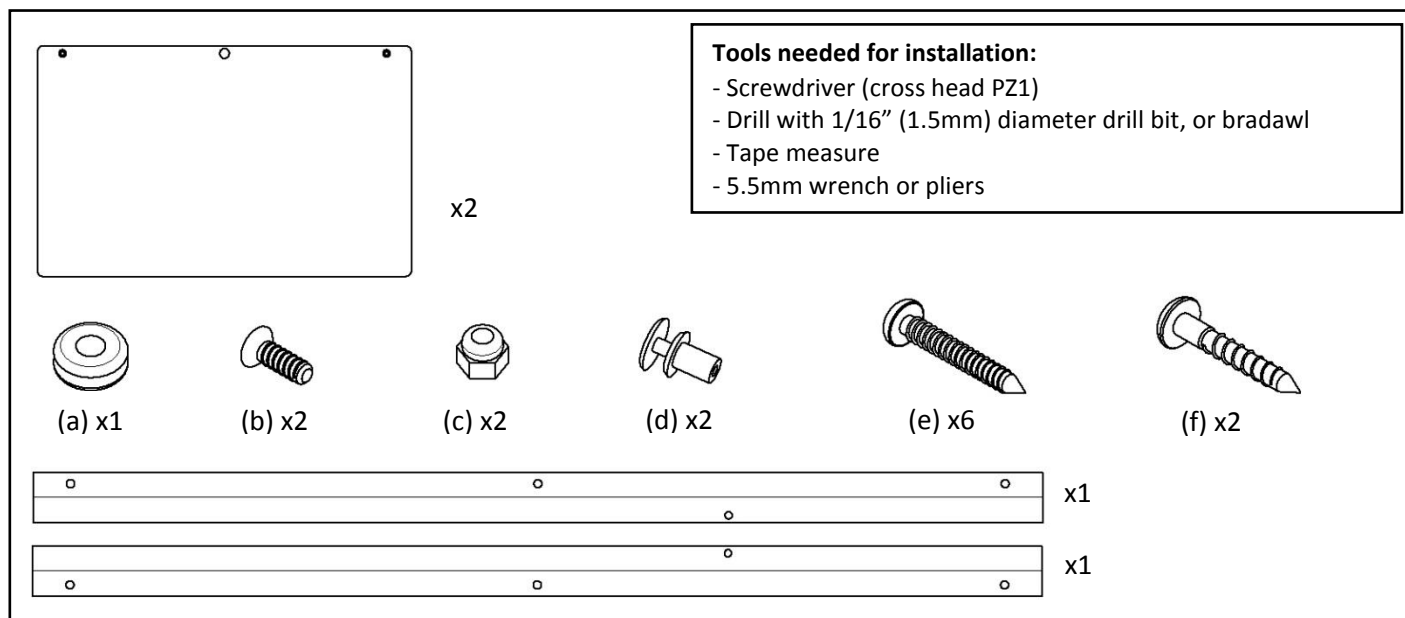
ChickSafe Door Installation Instructions

- * **Important! If using this door in conjunction with a ChickSafe Door Opener, be sure to fully install the door and the opener BEFORE installing batteries. Failure to observe this may cause incorrect operation and possible damage. Please fully read the instructions supplied with the ChickSafe Opener.**

Please read these instructions carefully to achieve best results and keep these instructions safe for future reference.

To register your new Brinsea product and qualify for your free 3 year warranty please visit www.brinsea.com within 30 days of purchase and follow the link on the Brinsea home page. The serial number may be found on the outside of the box. Sign up for the Brinsea newsletter to receive the latest news and information.

- * **Check the sliding door to make sure it runs smoothly and reliably both upwards and downwards. ChickSafe and other door openers use gravity alone to close the door.**
- * **For helpful information see our ChickSafe 'Frequently Asked Questions' page at www.brinsea.com**

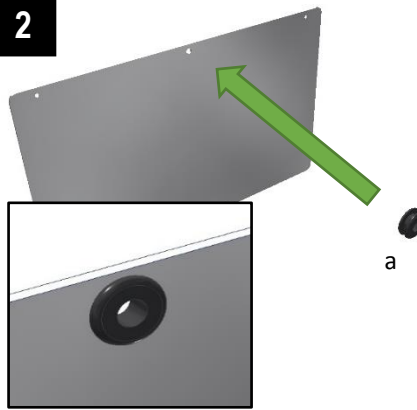


1

Peel the protective film from the front of each door panel.

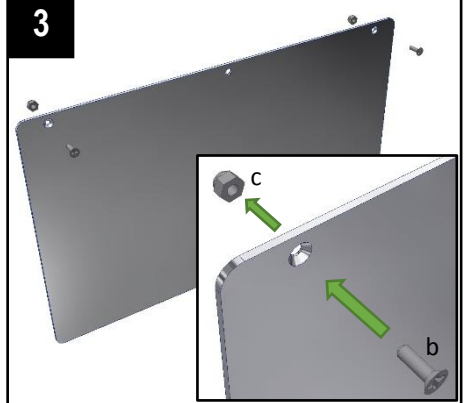
Please note there may be superficial marking on the back of each panel due to the laser cutting process used to ensure the panels are very precisely made. This does not affect the performance or life of the aluminum in any way, or the outward appearance of the finished door.

2



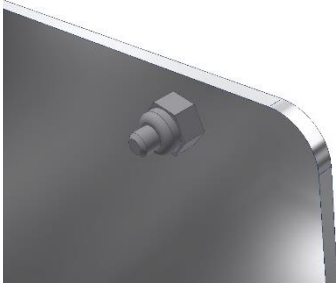
Fit the grommet (a) to the centre hole in one door panel.

3



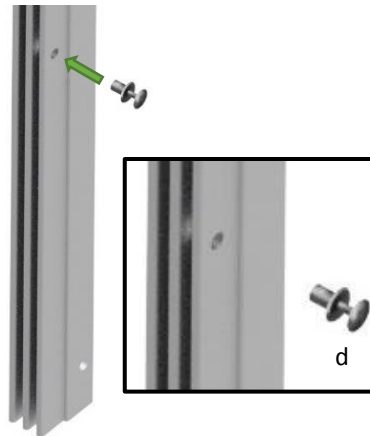
Fit the countersunk screws (b) and nuts (c) to the other door panel. The screws fit through from the back into the countersunk holes.

4



Tighten each nut by turning the screw with a screwdriver whilst holding the nut with pliers or a spanner.

5



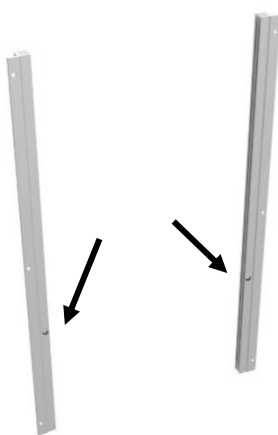
Fit a plastic rivet (d) to each channel in the hole shown.

6



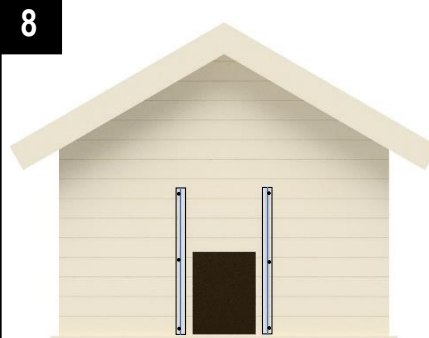
Locate the rivet in the hole, then push it in to secure it.

7



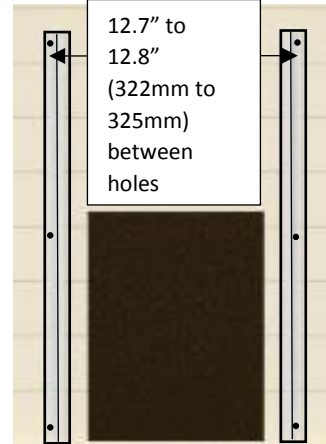
The channels are fitted to the hen house with the rivets at the bottom of each channel, not nearer to the top.

8

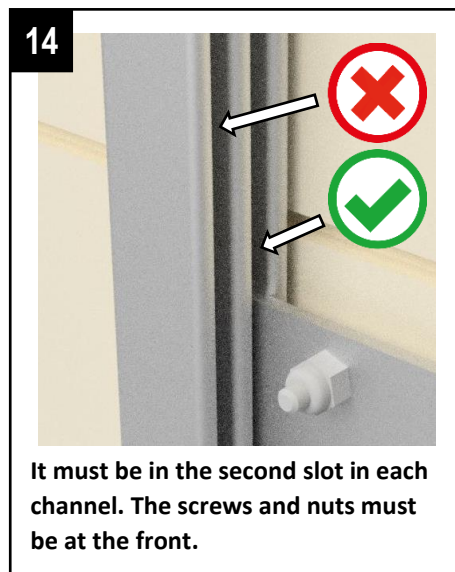
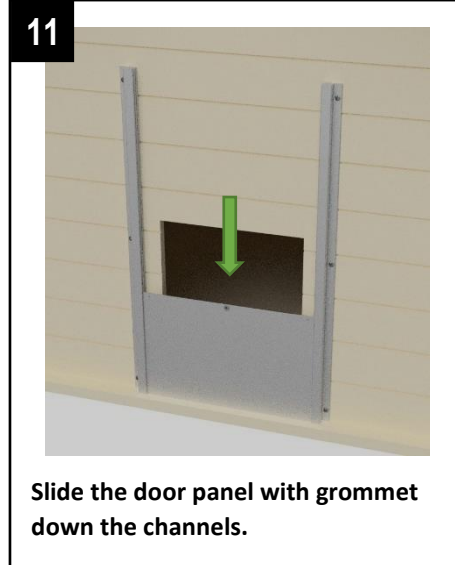
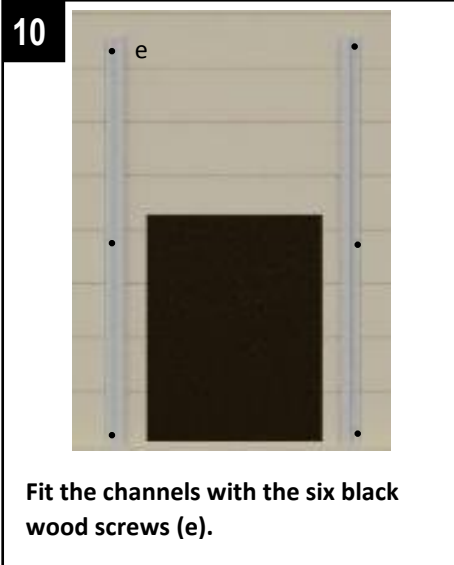


Position the channels on each side of the door hole on the hen house with the hole central between the channels. They must be perfectly vertical, flat and level. The fixing holes must be 12.7" – 12.8" (322mm – 325mm) apart.

9



Once the channels are vertical and the holes 12.7" – 12.8" (322mm – 325mm) apart, mark the locations for the six fixings. Drill 1/16" (1.5mm) diameter holes.



15

Check that the door panels slide up and down easily. They must slide down under their own weight.

The panel with the grommet must lift the other panel as it rises.

If the panels are tight make sure the distance between the channels is correct.

If the channels are not flat, fit washers or similar packing behind the channels at the fixings to correct them.

Automatic openers and accessories are intended to help keep chickens safe but the overall responsibility for the welfare and safety of livestock remains with the owner/keeper. Brinsea, its retailers or distributors will not be responsible for the loss of livestock or consequential loss in the event of failure however caused.

ChickSafe Door Dimensions: Height 21.3" (540mm), Width 13.1" (334mm), Depth 0.7" (17mm). Weight 2lbs (910g).

Brinsea Products Inc., 704 N Dixie Ave., Titusville, FL 32796-2017 USA.
 Phone. (321) 267-7009 Toll Free 1-888-667-7009 Fax (321) 267-6090
 e-mail Sales@Brinsea.com, website www.Brinsea.com